



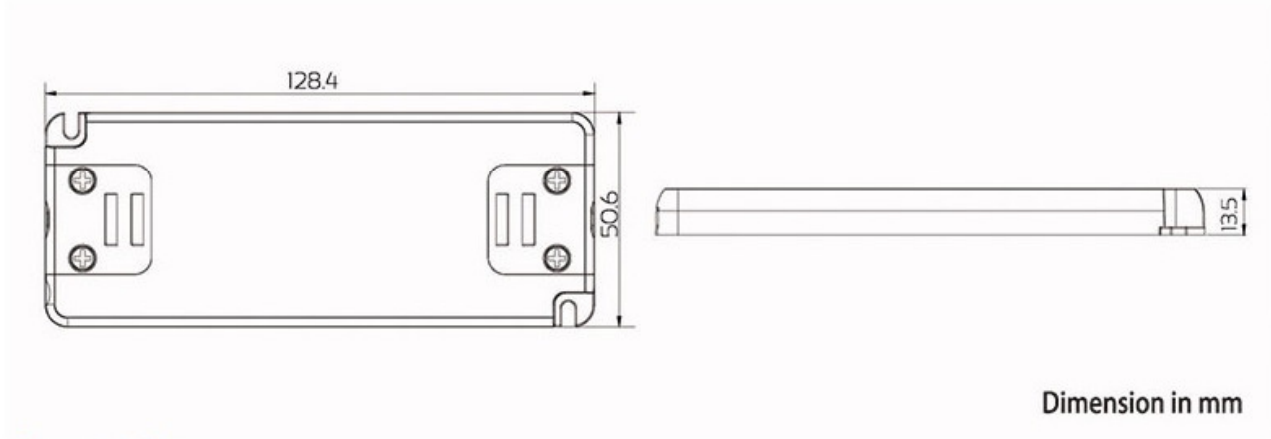
Product name: **SNP15-VF/SNP15-IF**

Hits: 459

Category: Super Slim LED Power Supply

Model: LED drivers/LED power supply

**Product summary**



**Characteristics**

Rated input voltage: AC200-240V 50Hz (power factor measured at AC230V and full load)

Model No.	Constant output voltage	Load	Max output Current	PF	Ta	Tc	LxWxH
SNP15-12VF	12V	0-15W	1.25A	≥ 0.5	45 °C	75 °C	128.4X50.6X13.5
SNP15-24VF	24V	0-15W	0.625A	≥ 0.5	45 °C	75 °C	128.4X50.6X13.5

**Reliable Technical Data**

- Rated Input Voltage:200-240VAC
- Input Frequency:50Hz
- Output Power:15W
- Body:PC
- Open Circuit;Short Circuit;Over Load;
- Over Heat Protection
- Safety According to EN61347-1,EN61347-2-13
- EMI According to EN55015
- EMS According to EN61000-3-2;EN61000-3-3;EN61547
- EMF According to EN62493-2010
- ERP According to EN1194-2012



**Product details**