

# LED POWER SUPPLY DATASHEET



SNP12-24VFP

## DESCRIPTION

High Cost Performance, SELV, short circuit, overload and over temperature protection. Compliance to ERP directive, lifetime 30,000hrs.



### Input

Items	Conditions	Request	Note
Input voltage	Ta	180-264Vac	--
Input frequency		50/60Hz	--
Input current	25°C, rated input voltage, output with max. rated power	< 0.15A	--
Input power		< 17.5W	--
Efficiency		≥ 75%	--
Standby		25°C, rated input voltage, output without load	< 0.5W
Inrush current	25°C, rated input voltage	< 60A	peak
PF	25°C, rated input voltage, output max. rated power	≥ 0.5	--

### Temperature and others

Item	Conditions	Request	Note
Operation temp.	--	-20-45°C	--
Relative humidity	--	45%-85%	--
Max. case temp.	--	80°C	< 90°C
Lifetime	Max. Ta, rated input voltage, output with max. rated power	30,000hr	--
Working noise	25°C, rated input voltage, output with rated power, mute box background noise < 35dB, pickup 10cm distance from products	< 35dB	--

### Protection

Items	Conditions	Request	Note
Open circuit	Ta, rated input voltage, no load	--	--
Over load	Ta, 0.94-1.06 times of input voltage, 1.9 times of rated power	yes	--
Short circuit	Ta, 0.94-1.06 times of input voltage	yes	--
Over temperature	Ta, 0.94-1.06 times of input voltage, temperature detected pointed more than 115 degree	--	--
Over voltage	Ta, 0.94-1.06 times of input voltage, output voltage is 1.5 times of rated one	--	--
Auto recovery	Over load, short circuit revocation	yes	--
Latch off	Over heat re-start after cut off	--	--

### Output

Items	Conditions	Request	Note
Startup time	25°C, rated input voltage, output with max. rated power	< 2S	--
Output voltage and precision	Ta, rated input voltage, output with rated power	24V±5%	< 25V
Output current range	Ta, rated input voltage	0-0.5A	--
Output voltage wave	25°C, rated input voltage, output with max. rated power	< 480mV	Vp-p
Output overload	25°C, rated input voltage, output with 2 times LED load	yes	--
Output current and precision	Ta, rated input voltage, output with rated power	--	--
Rated output voltage range	Ta, rated input voltage,	--	--
Output current wave	25°C, rated input voltage, output with max. rated power	--	--
Dimming mode	--	--	--
Dimming range	--	--	--

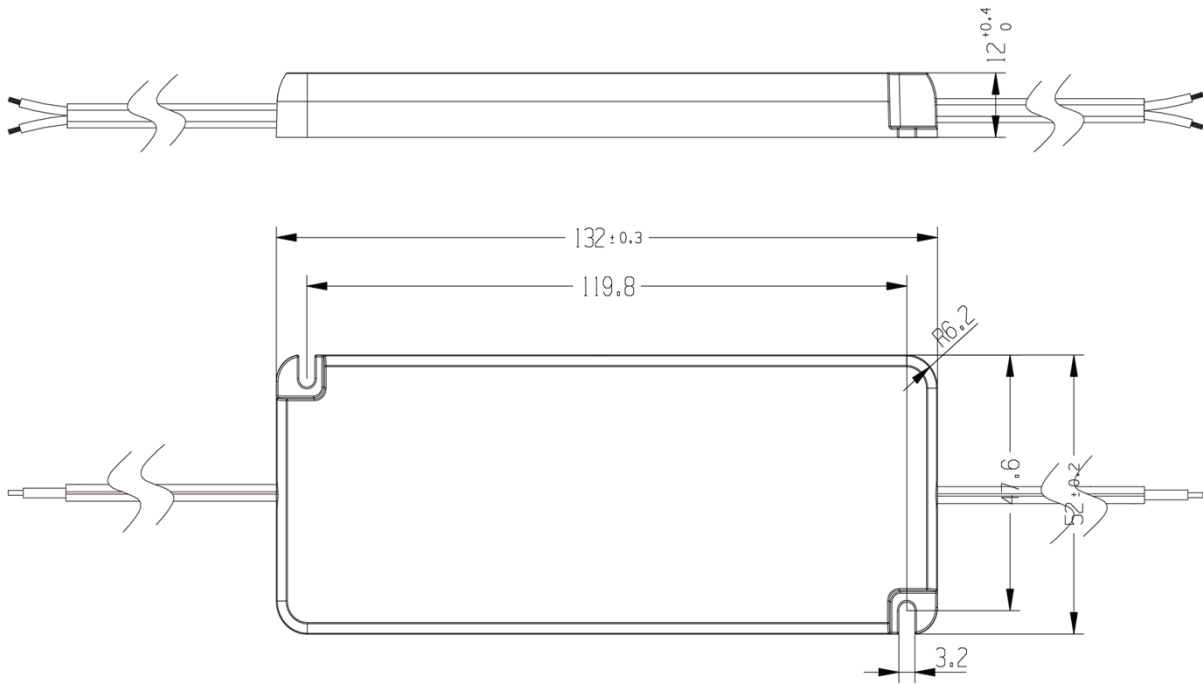
### Mechanical, mounting

Items	Conditions
Case material and size	Plastic case, 130mmx50mmx11.8mm
Mounting ways	Independent
Insulation type	Class II
IP grade	IP44
Input cables dimension	H03VVH2-F 2×0.75mm <sup>2</sup>
Output cables dimension	H03VVH2-F 2×0.75mm <sup>2</sup>
Output cables length	15cm

### Standard

Items	Conditions
Safety	IEC61347-1, IEC61347-2-13
Harmonic	IEC61000-3-2
EMI	IEC55015
EMS	IEC61547

● **Dimensions(mm)**



● **Wiring Diagram**

